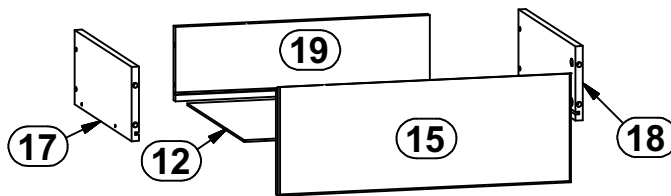
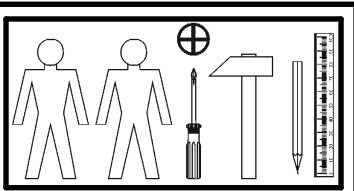
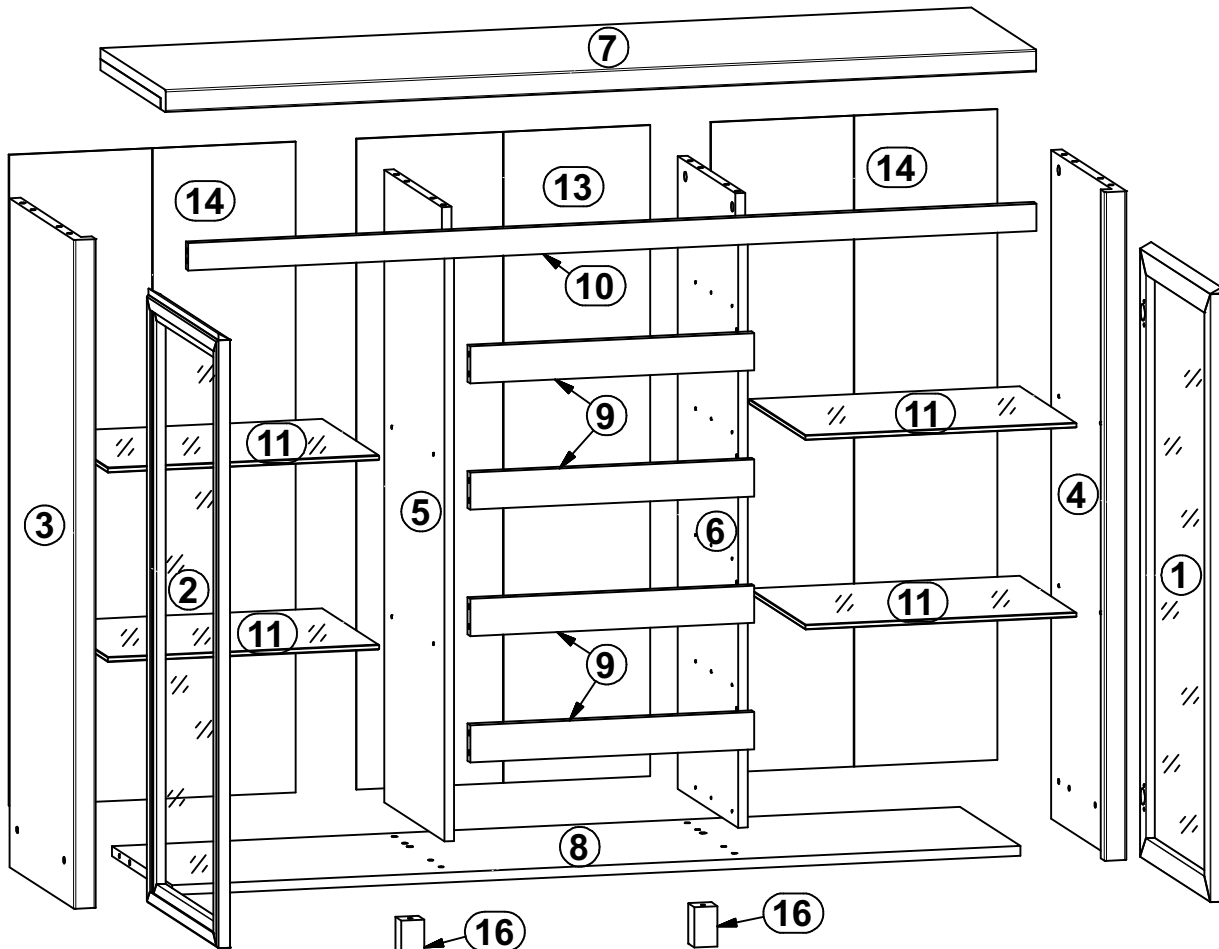
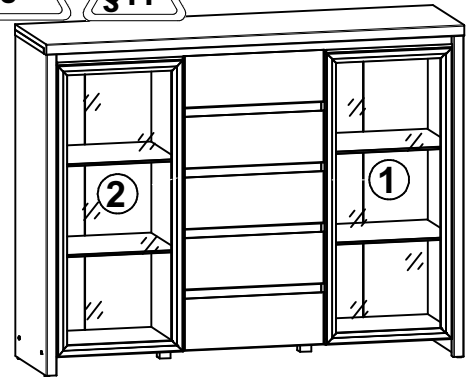


# KASPIAN 2

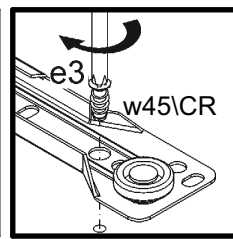
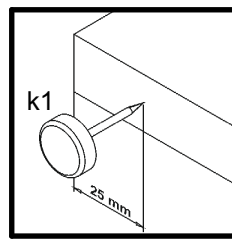
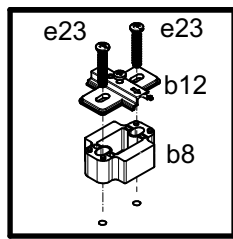
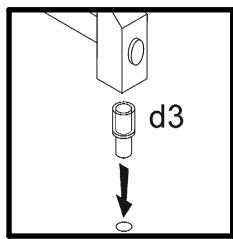
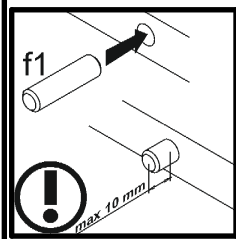
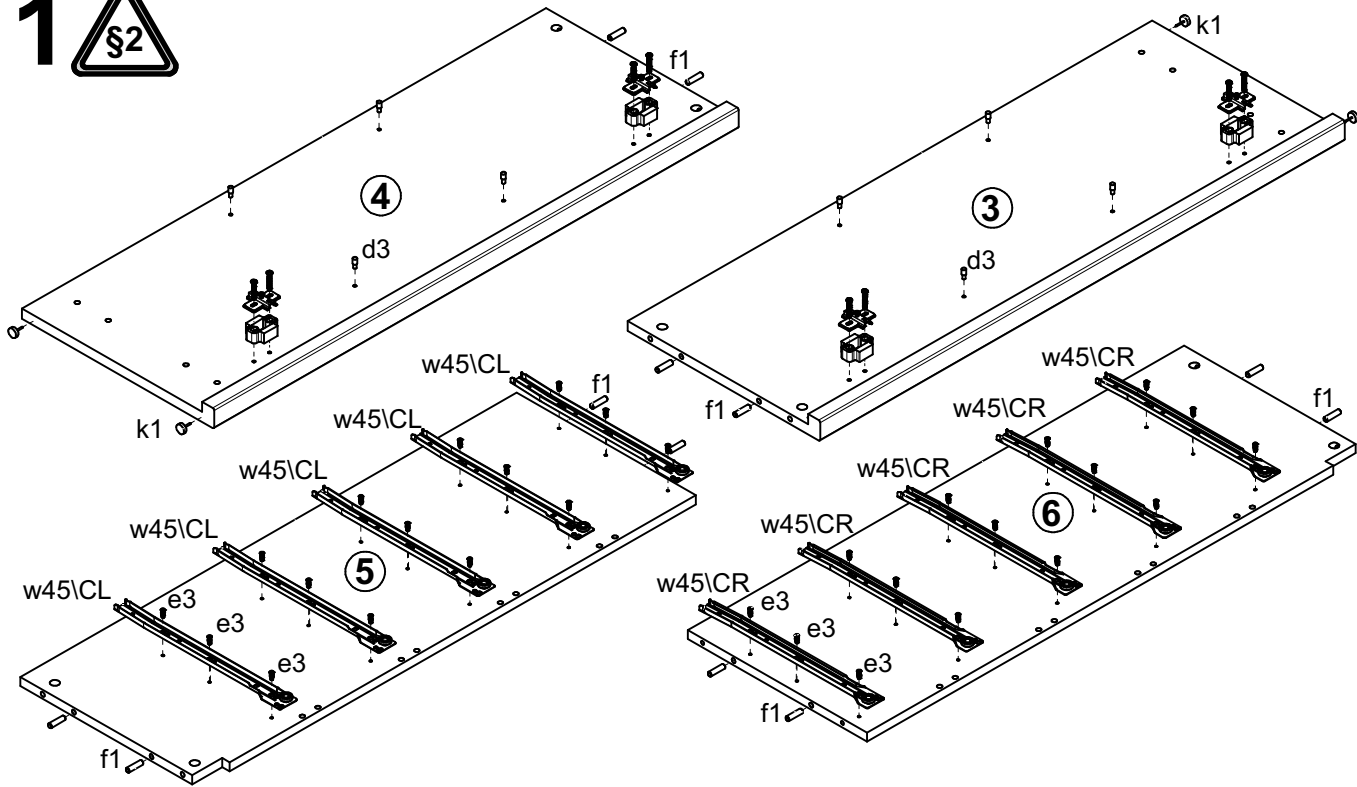
## S128-KOM2W5S

A	B	C	D	A	B	C	D		
1	S128-016	992	432	5/5	11	S128-502	446	345	3/5
2	S128-017	992	432	5/5	12	S128-9901	420	348	2/5
3	S128-130	1080	396	1/5	13	S128-917	1051	483	1/5
4	S128-131	1080	396	1/5	14	S128-918	1051	471	1/5
5	S128-132	1022	369	1/5	15	S128-070	482	176	4/5
6	S128-133	1022	369	1/5	16	ZN1-501	65	38	1/5
7	S128-204	1432	399	2/5	17	BP-503	350	120	2/5
8	S128-302	1395	370	2/5	18	BP-504	350	120	2/5
9	S128-404	467	60	1/5	19	ZP-5505	410	120	2/5
10	S128-406	1395	44	2/5					

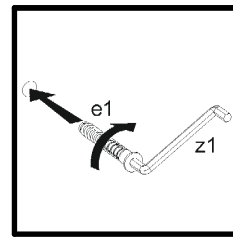
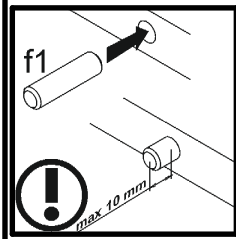
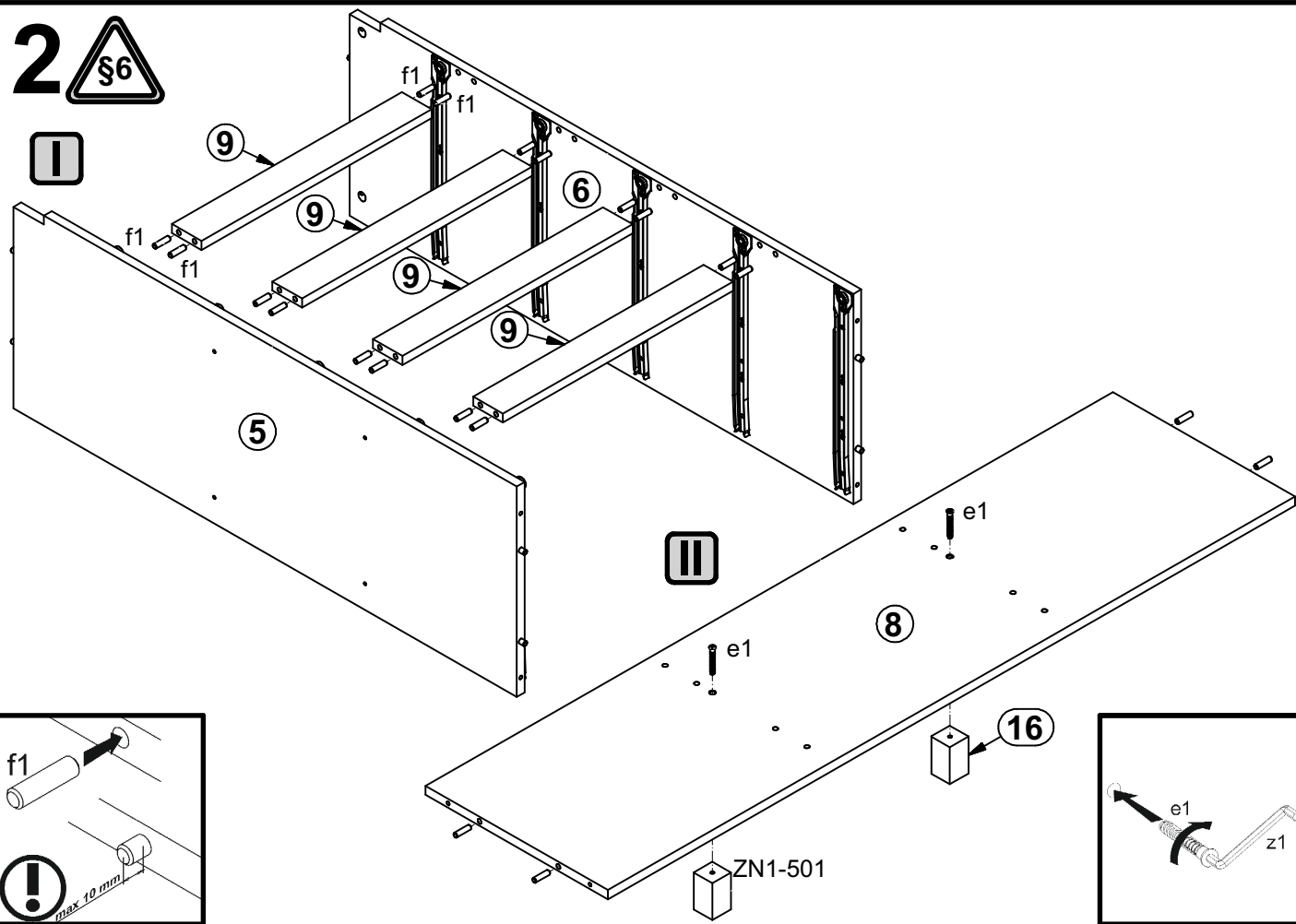


4x  a1	4x  b8	4x  b12	16x  d3 φ5x17 mm	10x  e1 φ7x50 mm	30x  e3 φ6x13 mm	20x  e19 φ5x9 mm	8x  e23 φ6.3x30 mm	36x  f1 φ8x30 mm
20x  f25 φ6.5x40 mm	4x  k1	90x  l1	28x  r1 φ1.5x12mm #16	28x  r42	5x  w45\CL 350 mm	5x  w45\CR 350 mm	5x  w45\DL 350 mm	
5x  w45\DR 350 mm	4x  s1	4x  s2 ø16	1x  z1	1x  n26\1	1x  p38 φ3.5x16 mm			

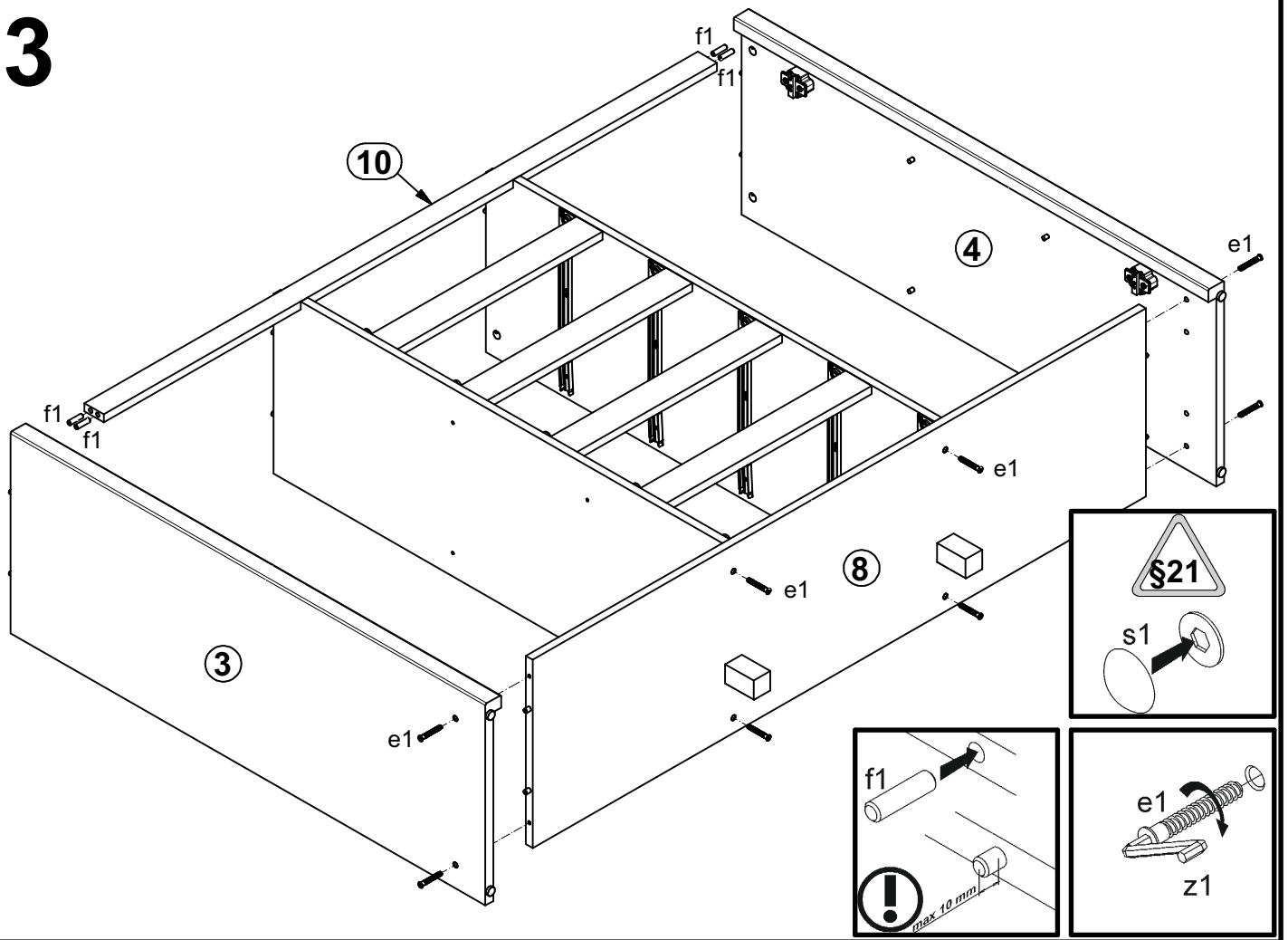
# 1



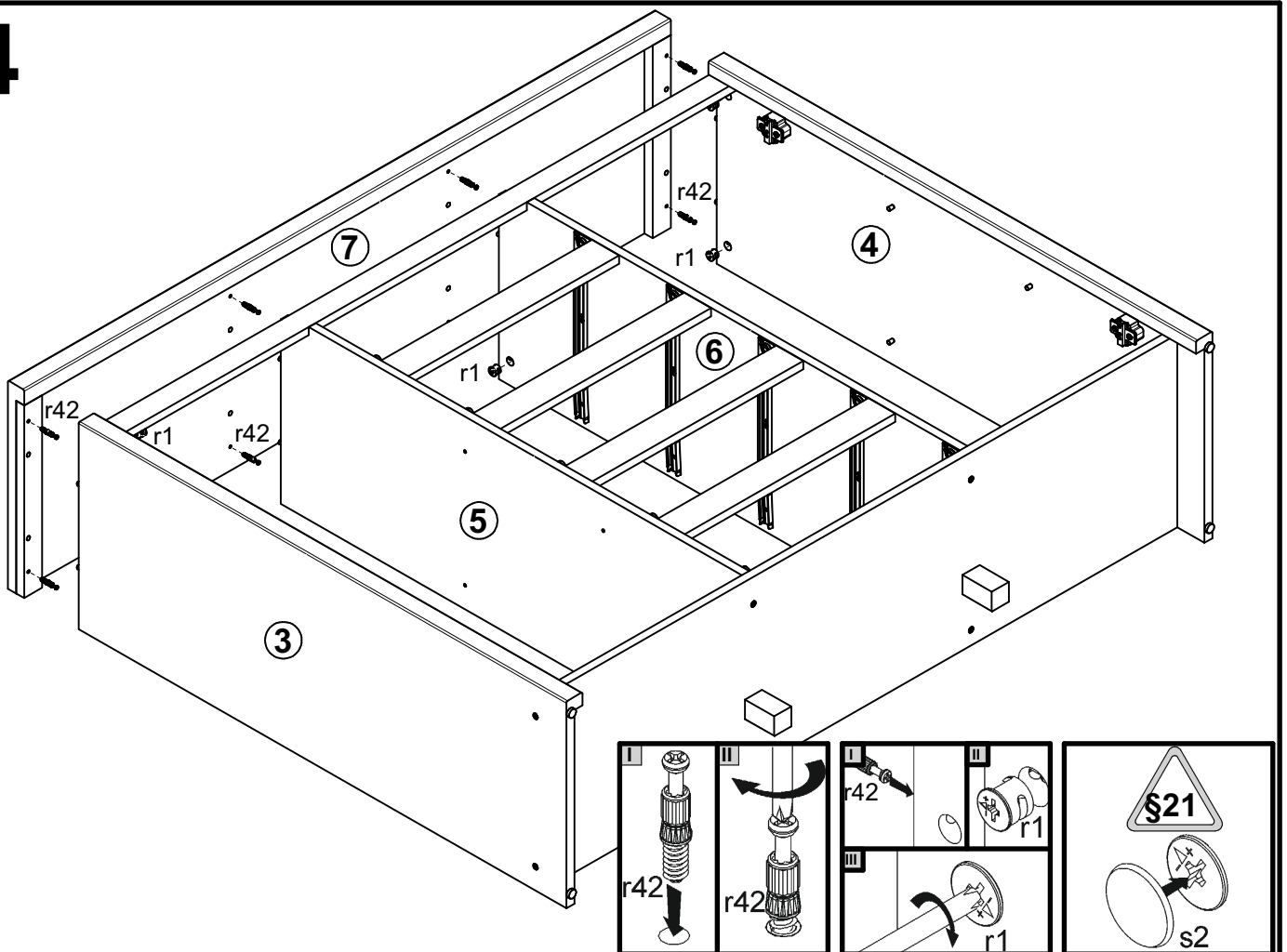
# 2



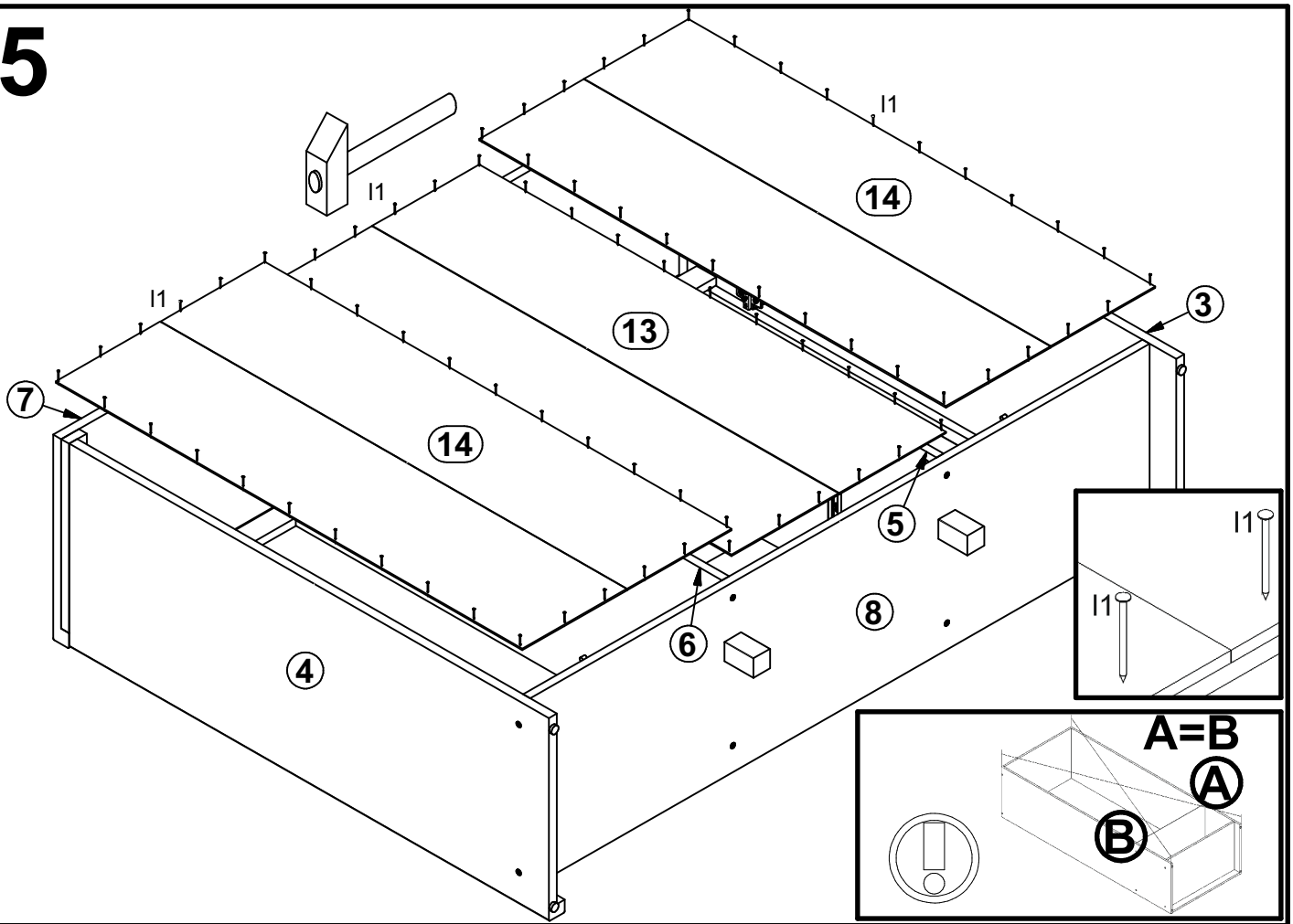
# 3



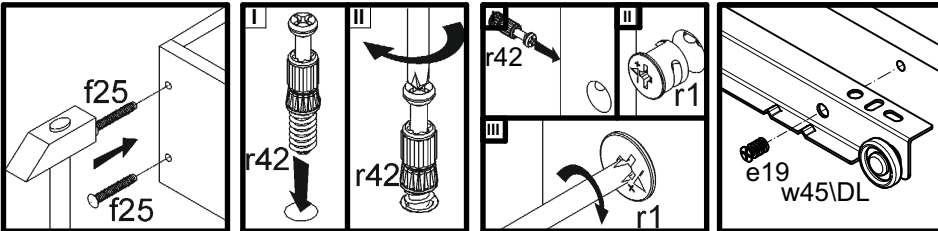
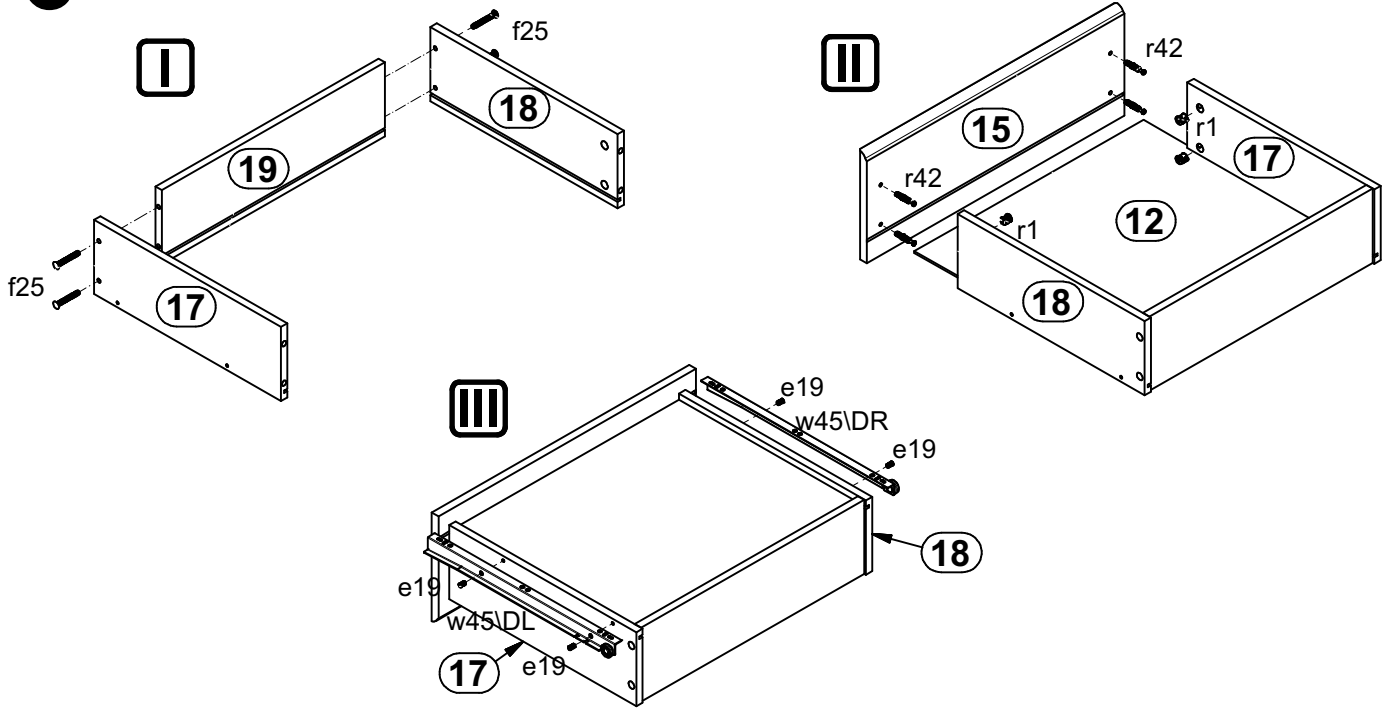
# 4



# 5



# 6



7

